

4

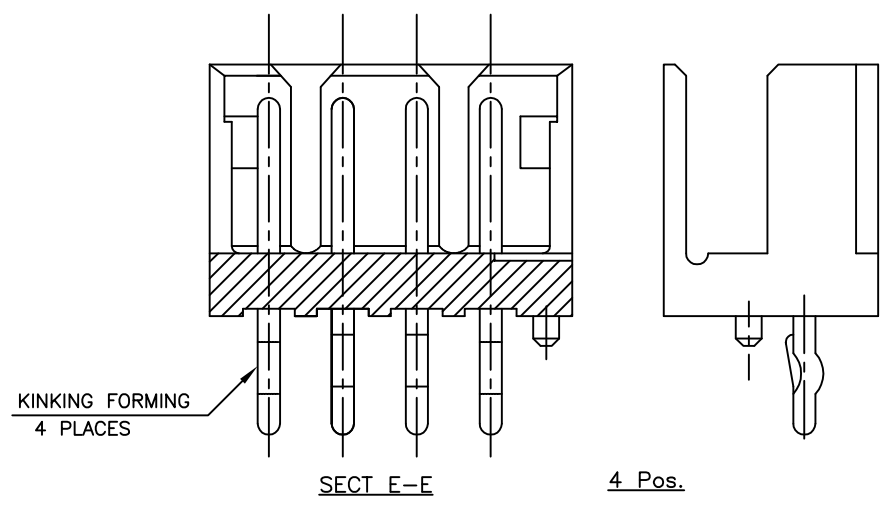
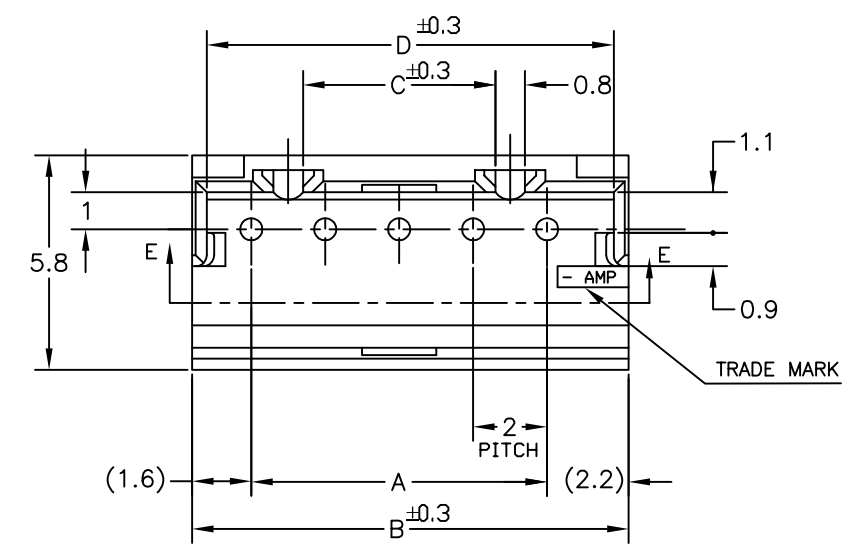
3

2

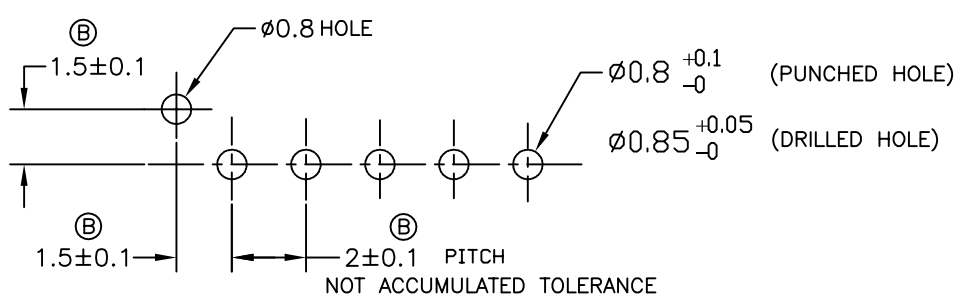
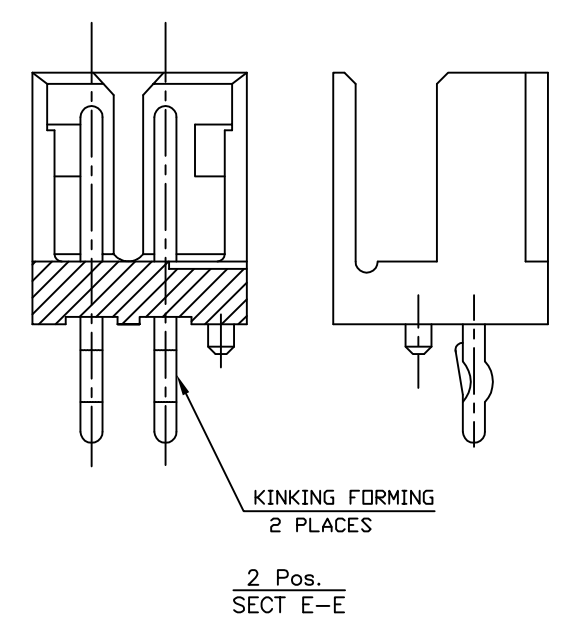
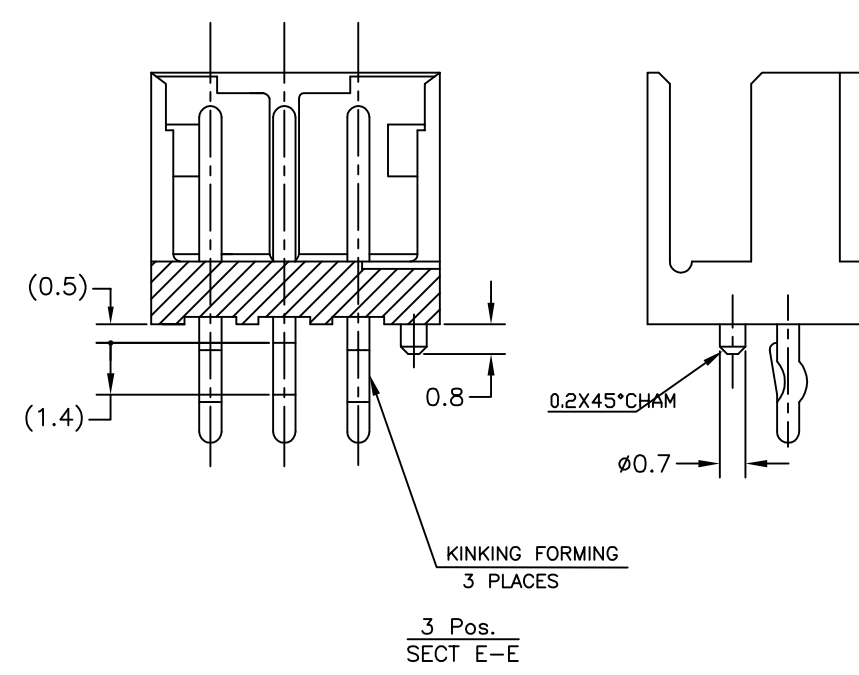
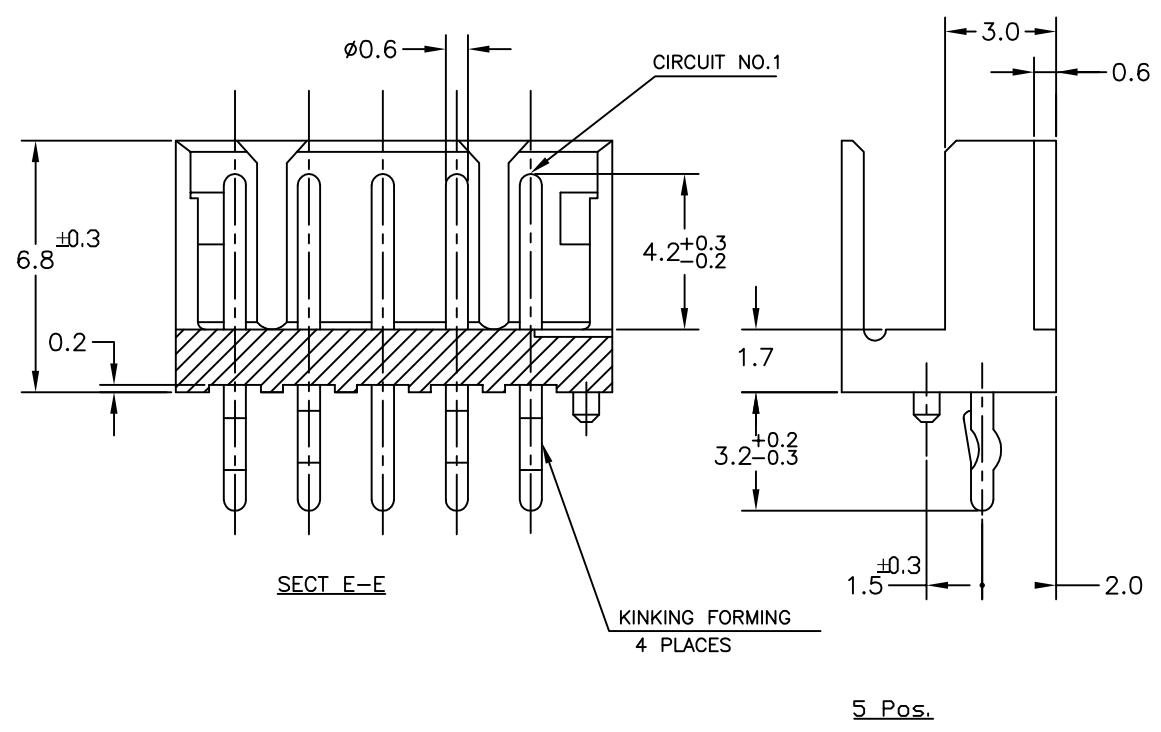
1

THIS DRAWING IS UNPUBLISHED. RELEASED FOR PUBLICATION
 © COPYRIGHT - By - ALL RIGHTS RESERVED.


LOC	DIST	REVISIONS					
ES	00	P	LTR	DESCRIPTION	DATE	DWN	APVD
		B2		ECR-14-006619	12MAY2014	T.Q	W.H



NOTES:
 1. MATERIAL: HOUSING - NYLON 66 (UL94V-0)
 POST - TIN BRASS



RECOMMENDABLE PCB LAYOUT
 (PCB THK: 0.8-1.6)

THIS DRAWING IS A CONTROLLED DOCUMENT.		DWN	S.XU	06NOV03	 TE Connectivity
DIMENSIONS: mm		CHK	S.YAO	06NOV03	
TOLERANCES UNLESS OTHERWISE SPECIFIED: ±0.2		APVD	T. SASAKI	06NOV03	
0-PLC ± 1-PLC ± 2-PLC ± 3-PLC ± 4-PLC ± ANGLES ±		PRODUCT SPEC	108-60016		
MATERIAL SEE NOTE		FINISH SEE NOTE		APPLICATION SPEC	NAME
		CUSTOMER DRAWING		SIZE	A3
		SCALE		5:1	CAGE CODE
		SHEET		1 OF 2	DRAWING NO
		REV		B2	RESTRICTED TO

4

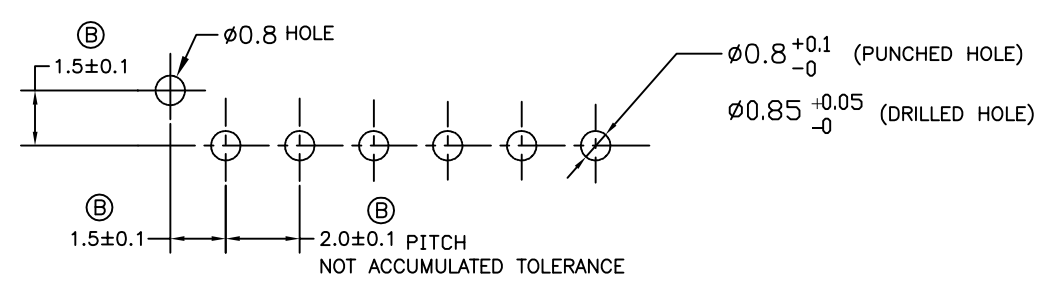
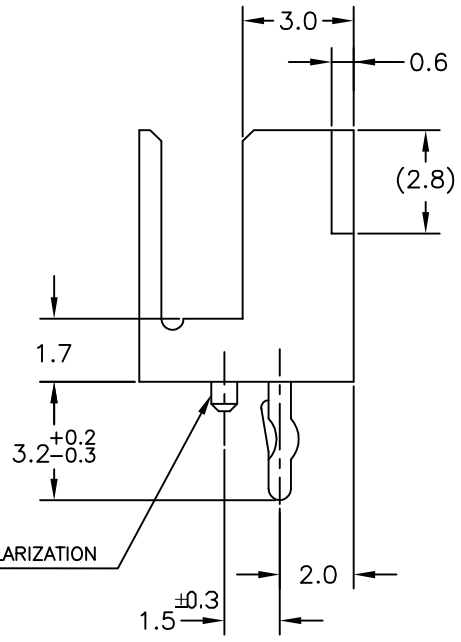
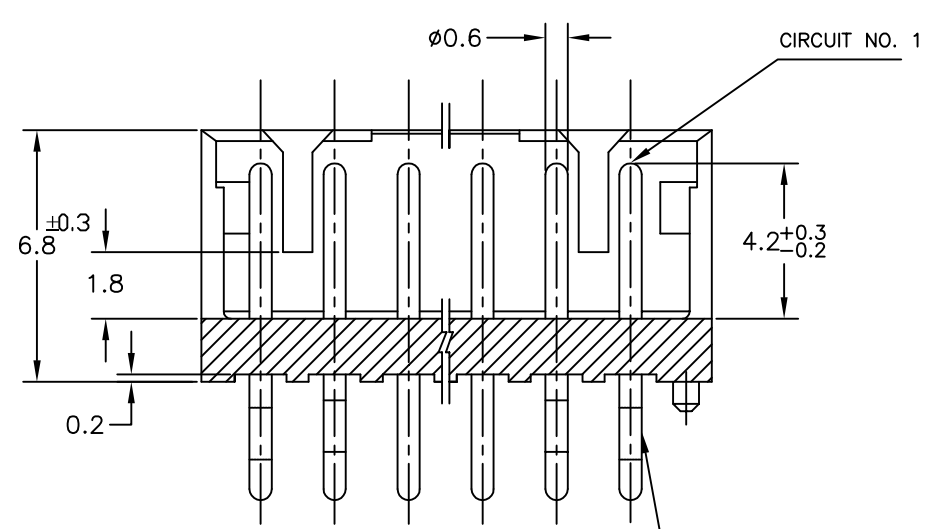
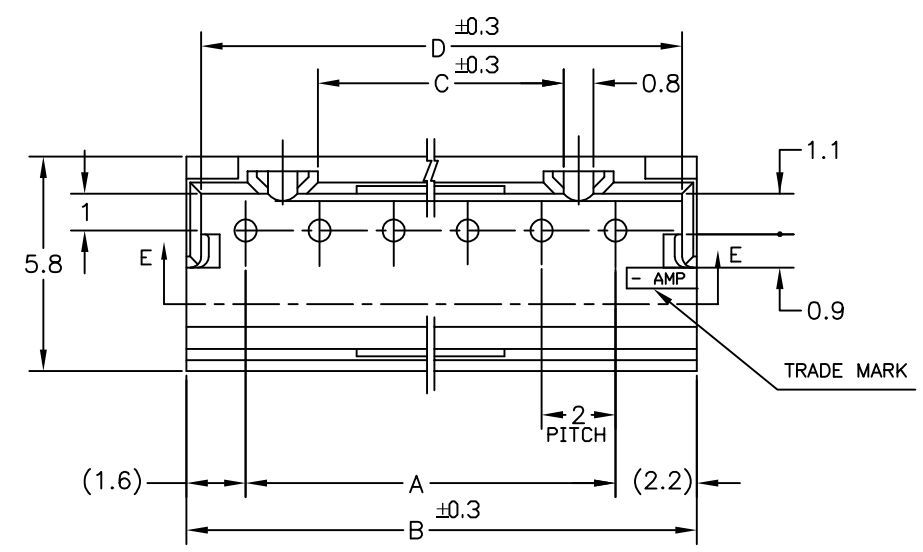
3

2

1

THIS DRAWING IS UNPUBLISHED. RELEASED FOR PUBLICATION
 © COPYRIGHT - By - ALL RIGHTS RESERVED.

LOC	DIST	REVISIONS				
P	LTR	DESCRIPTION	DATE	DWN	APVD	
ES	00	SEE SHEET 1	-	-	-	



NOTES:

1. MATERIAL: HOUSING - NYLON 66 (UL94V-0)
 POST - TIN BRASS

	1-292251-5	15	28	31.8	25.2	31.0
	1- -4	14	26	29.8	23.2	29.0
	1- -3	13	24	27.8	21.2	27.0
	1- -2	12	22	25.8	19.2	25.0
	1- -1	11	20	23.8	17.2	23.0
	1- -0	10	18	21.8	15.2	21.0
	-9	9	16	19.8	13.2	19.0
	-8	8	14	17.8	11.2	17.0
	-7	7	12	15.8	9.2	15.0
	-6	6	10	13.8	7.2	13.0
	-5	5	8	11.8	5.2	11.0
2-292251-4	-4	4	6	9.8	3.2	9.0
	-3	3	4	7.8	0	7.0
2-292251-2	292251-2	2	2	5.8	0	5.0
BLUE	NATURAL	Pos.	A	B	C	D

THIS DRAWING IS A CONTROLLED DOCUMENT.

DIMENSIONS: mm	TOLERANCES UNLESS OTHERWISE SPECIFIED: ±0.2	DWN	TE Connectivity
	0 PLC ±	CHK	STE TE Connectivity NAME POST HEADER ASS'Y POLARIZE TYPE (BOX-V TYPE) (AMP CT CONNECTOR 2mm PITCH)
	1 PLC ±	APVD	
	2 PLC ±	PRODUCT SPEC	
	3 PLC ±	APPLICATION SPEC	
MATERIAL	FINISH	WEIGHT	SIZE A3 CAGE CODE 00779 DRAWING NO. C-292251 RESTRICTED TO CUSTOMER DRAWING SCALE 5:1 SHEET 2 OF 2 REV B2